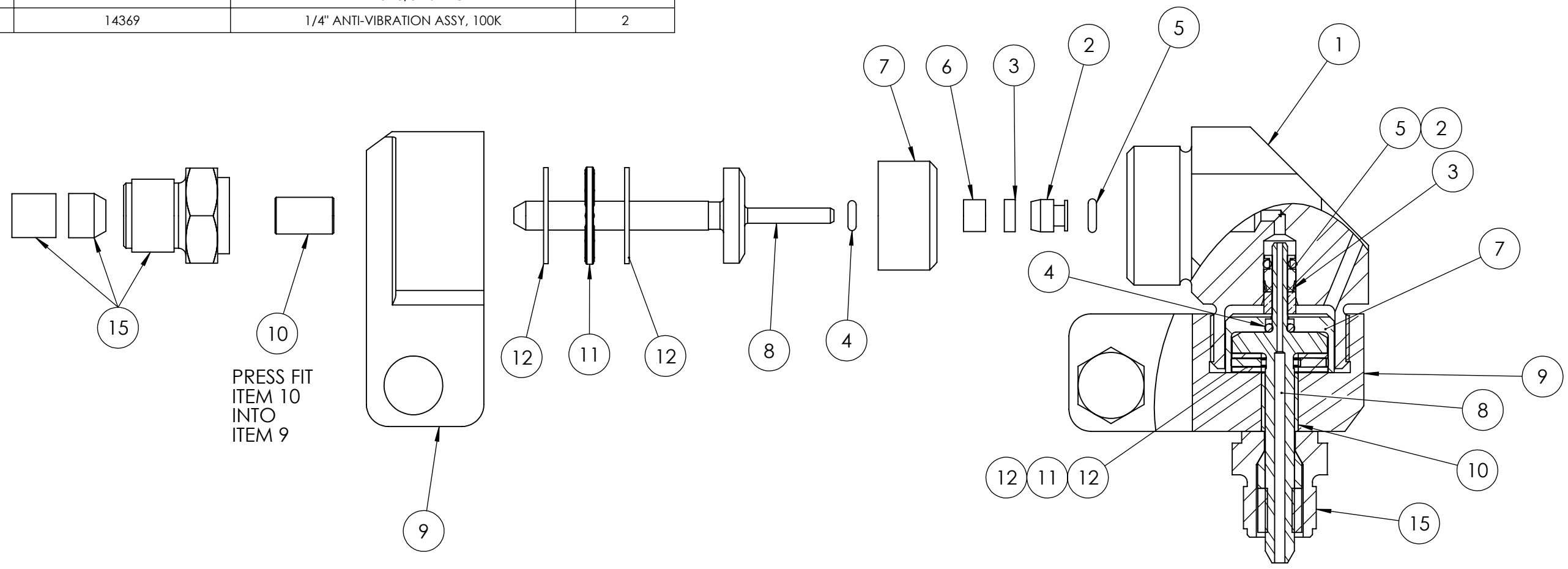
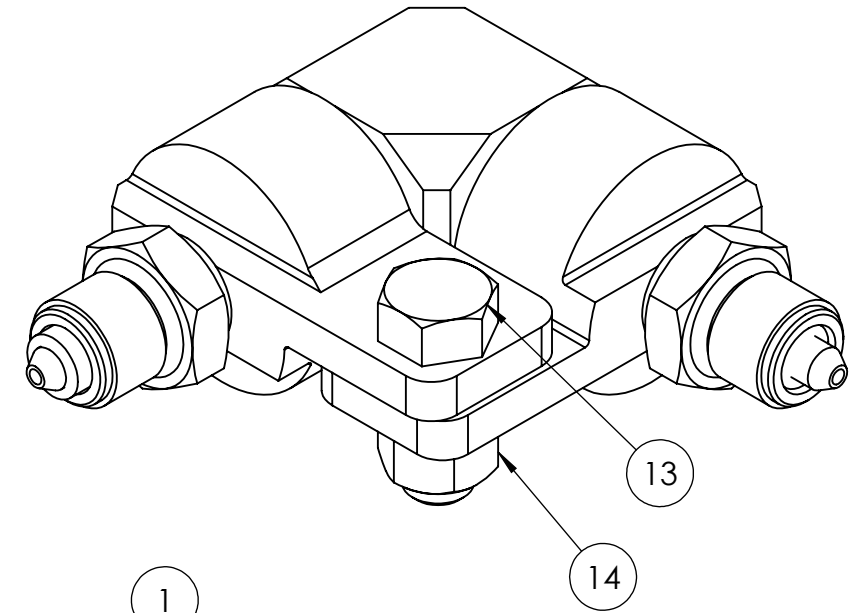


ITEM NO.	PART NUMBER	DESCRIPTION	QTY.
1	14435	SWIVEL BODY, FL	1
2	14436	SWIVEL SEAL, FL	2
3	14437	SWIVEL SEAL RING, FL	2
4	11679-006	ORING; 70 D BUNA; -006	2
5	12662-007	-007 70D HP ORING "RED"	2
6	14438	SEAL BACKUP RING, FL	2
7	14439	SEAL RETAINER, FL	2
8	14440	SWIVEL SHAFT, 1/4, FL	2
9	14441	SAFETY SWIVEL NUT, FL	2
10	14461	BUSHING	2
11	14460	NEEDLE THRUST BEARING, 8mm ID x 21mm OD	2
12	14443	THRUST BEARING WASHER, 8mm ID	4
13	-	HEX BOLT 3/8-16UNC X 1.00 LG	1
14	-	HEX NUT 3/8-16-D-C	1
15	14369	1/4" ANTI-VIBRATION ASSY, 100K	2



<b>HIGHLY CONFIDENTIAL PROPRIETARY INFORMATION</b>			TITLE: 94K 90deg 1/4" SWIVEL ASSY, FL														
			ALL DATA AND INFORMATION ON THIS DOCUMENT IS FOR THE SOLE USE OF ACCUSTREAM AND ITS LICENSEES AND MAY NOT BE USED WITHOUT PERMISSION	-TOLERANCES- UNLESS OTHERWISE SPECIFIED DIMENSIONS IN INCHES  ANGULAR: MACH ± 1 BEND ± 1 ONE PLACE DECIMAL ± .05 TWO PLACE DECIMAL ± .015 THREE PLACE DECIMAL ± .005	<table border="1"> <tr> <th>NAME</th> <th>DATE</th> <th>MATERIAL</th> </tr> <tr> <td>DRAWN NMS</td> <td>02/14/12</td> <td>SEE PARTS LIST</td> </tr> <tr> <td>CHECKED CJB</td> <td>4/26/2012</td> <td>HARDNESS</td> </tr> <tr> <td>ENG APPR. CJB</td> <td>4/26/2012</td> <td>WEIGHT</td> </tr> </table>	NAME	DATE	MATERIAL	DRAWN NMS	02/14/12	SEE PARTS LIST	CHECKED CJB	4/26/2012	HARDNESS	ENG APPR. CJB	4/26/2012	WEIGHT
NAME	DATE	MATERIAL															
DRAWN NMS	02/14/12	SEE PARTS LIST															
CHECKED CJB	4/26/2012	HARDNESS															
ENG APPR. CJB	4/26/2012	WEIGHT															
<b>BREAK AND DEBURR ALL EDGES .015 MAX</b>			SIZE <b>B</b>	DWG. NO. <b>14444</b>	REV <b>A</b>												