

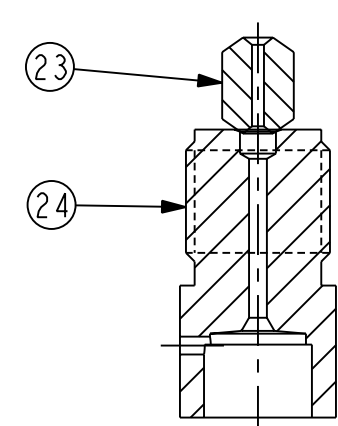
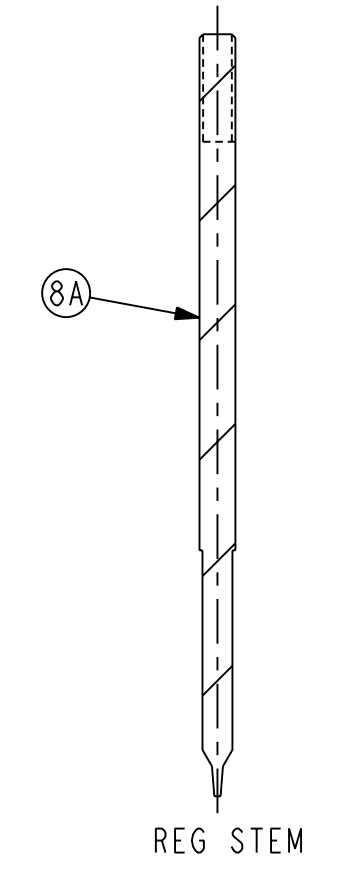
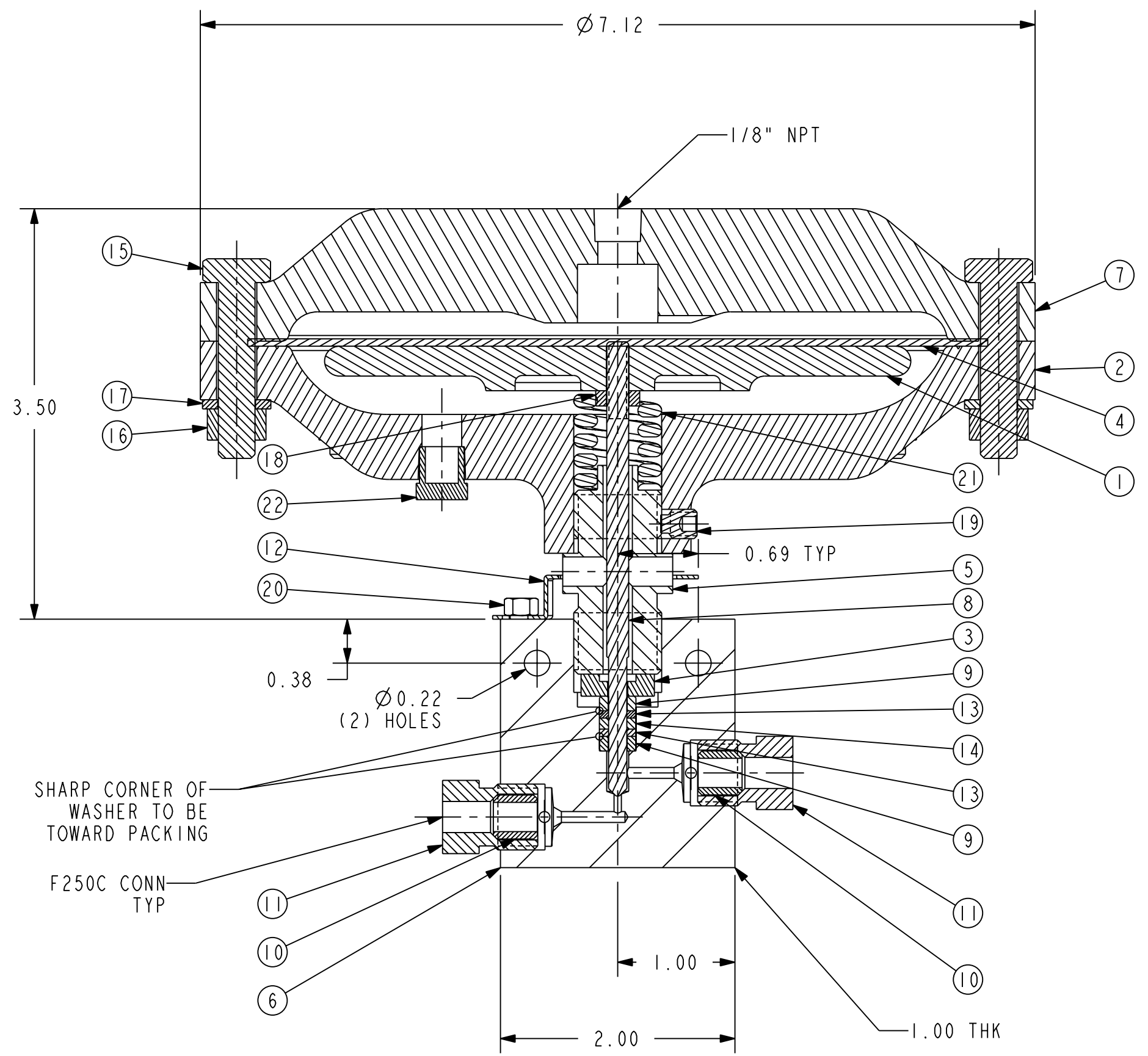
ASSY: ----

THIS DOCUMENT MAY CONTAIN INFORMATION AFFECTING THE NATIONAL DEFENSE OF THE UNITED STATES WITHIN THE MEANING OF THE ESPIONAGE ACT, OR MAY REPRESENT A PROPRIETARY ARTICLE TO WHICH SNAP-TITE, INC. RETAINS THE EXCLUSIVE RIGHT OF MANUFACTURE AND SALE. THIS DOCUMENT IS DISCLOSED IN CONFIDENCE, AND ITS POSSESSION DOES NOT CONVEY PERMISSION TO MANUFACTURE THE ARTICLE DEPICTED HEREIN. SUCH PERMISSION MAY BE GRANTED ONLY BY SPECIFIC AUTHORIZATION IN WRITING, SIGNED BY AN OFFICER OF SNAP-TITE, INC.

#	REVISION	BY:	APP
11	REDRAWN & UPDATED	SAJ	JHR
		DATE: 1/24/02	
		BY:	
		DATE:	

DESCRIPTION	BODY P/N	STEM TYPE	CATALOG NUMBER	STEM P/N
2 STEM MANIFOLD	2010-6457-DA	REG	60VM4085-CM	201B-2046
2 WAY ANGLE REPLACEABLE SEAT	2010-6454-DA	VEE	60VM4075-CM	2060-7037
		REG	60VM4882-CM	201B-2046
		VEE	60VM4872-CM	2060-7037
3 WAY 1 ON PRESSURE	2010-6455-DA	REG	60VM4084-CM	201B-2046
		VEE	60VM4074-CM	2060-7037
3 WAY 2 ON PRESSURE	2010-6452-DA	REG	60VM4083-CM	201B-2046
		VEE	60VM4073-CM	2060-7037
2 WAY ANGLE	2010-6456-DA	VEE	60VM4082-CM	201B-2046
		REG	60VM4072-CM	2060-7037
2 WAY STRAIGHT	2010-6453-DA	VEE	60VM4081-CM	201B-2046
		REG	60VM4071-CM	2060-7037



MAX ALLOW WORKING PRESSURE: 60000 PSI @ RT  
 HYDROTEST PRESSURE: 75000 PSI @ RT  
 MAX ALLOW AIR PRESSURE: 100 PSI  
 AIR PRESSURE REQD AT VALVE RATING: 80 PSI  
 PACKING GLAND TORQUE: 60 FT-LBS  
 SEAT RETAINER TORQUE: 45 FT-LBS  
 ALLOWABLE DIAPHRAGM TEMP: -40°F TO 200°F  
 AREA OF DIAPHRAGM: 19.6 SQ IN

#PER TABLE ABOVE  
 \*AS REQUIRED

ITEM No.	QTY.	PART No.	Description	Material
1	1	101A-0326	DIAPHRAGM HEAD	DUCTILE IRON
2	1	101C-3374	LOWER HOUSING -CM	ALUM
3	1	1020-9447	BACK-UP WASHER	17-4PH
4	1	102A-0326	DIAPHRAGM	NEOPRENE
5	1	1040-7428	PACKING GLAND	316 SS
# 6	1	2010-6453-DA	VALVE BODY 1/4" 60VM	316 SS
7	1	2020-6922	UPPER HOUSING -CM	ALUM
# 8	1	2060-7037	VEE STEM	17-4PH
9	2	3130-1477	PACKING WASHER	17-4PH
* 10	2	ACL40	COLLAR	316 SS
* 11	2	AGL40	GLAND	316 SS
12	1	P-0500	LOCKING DEVICE	302 SS
13	2	P-0829	PACKING	NYLON
14	1	P-0830	PACKING	LEATHER
15	8	P-0837	SCREW, HEX HD CAP, 5/16-18 X 1.50 LG	Zn PLATED STEEL
16	8	P-0840	HEX NUT, 5/16-18	STEEL
17	8	P-0841	SPRING LOCKWASHER, 5/16, REGULAR	PLATED STEEL
18	1	P-0932	HEX NUT, #10-24	300 SERIES STEEL
19	1	P-1718	HEX SOC SET SCREW, 1/4-20 X 0.31 LG, HD0G	STEEL
20	1	P-6909	SCREW, HEX HD CAP	300 SER SS
21	1	P-9491	SPRING 3/4 X 1-1/4 HD	CHROME VANADIUM
22	1	P-9540	BREATHER VENT	NICKEL PLATED STL
# 23	1	101B-1387	REPLACEABLE SEAT	17-4PH
# 24	1	101C-5960	SEAT RETAINER	316 SS

ITEM No.	QTY.	PART No.	Description	Material	Cat# Suffix
8B	1	102A-3401	VEE STEM	STELLITE	-STS
23A	1	102B-1387	REPLACEABLE SEAT	STELLITE	-SRS
13A/14A	1	P-8933	PACKING	GRAPHITE YARN	-GY
13B/14B	2	P-8713	PACKING	TEFLON GLASS	-TG
8C	1	2080-7037-C	VEE STEM	N-DURA	-CS
23B	1	105B-1387-C	REPLACEABLE SEAT	N-DURA	-CSS

P/N: 60VM4XXX-CM  
 MATERIAL: 316 SS  
 P/S: NONE REF PART: NONE  
 DWN: RJP 11/12/76 APPVD: RKR  
 DO NOT SCALE DRAWING

**Snap-tite, Inc. - Erie, Pennsylvania, U. S. A.**  
 Autoclave Engineers Division

VALVE ASSEMBLY  
 1/4" 60VM-CM

SIZE: C EWO: STD DWG. NO.: 30A-0153 REV: 11  
 SCALE: 1:1 H4-1 CODE: 78357 SHEET: 1 OF 1

**CONTROL DRAWING RELEASED**